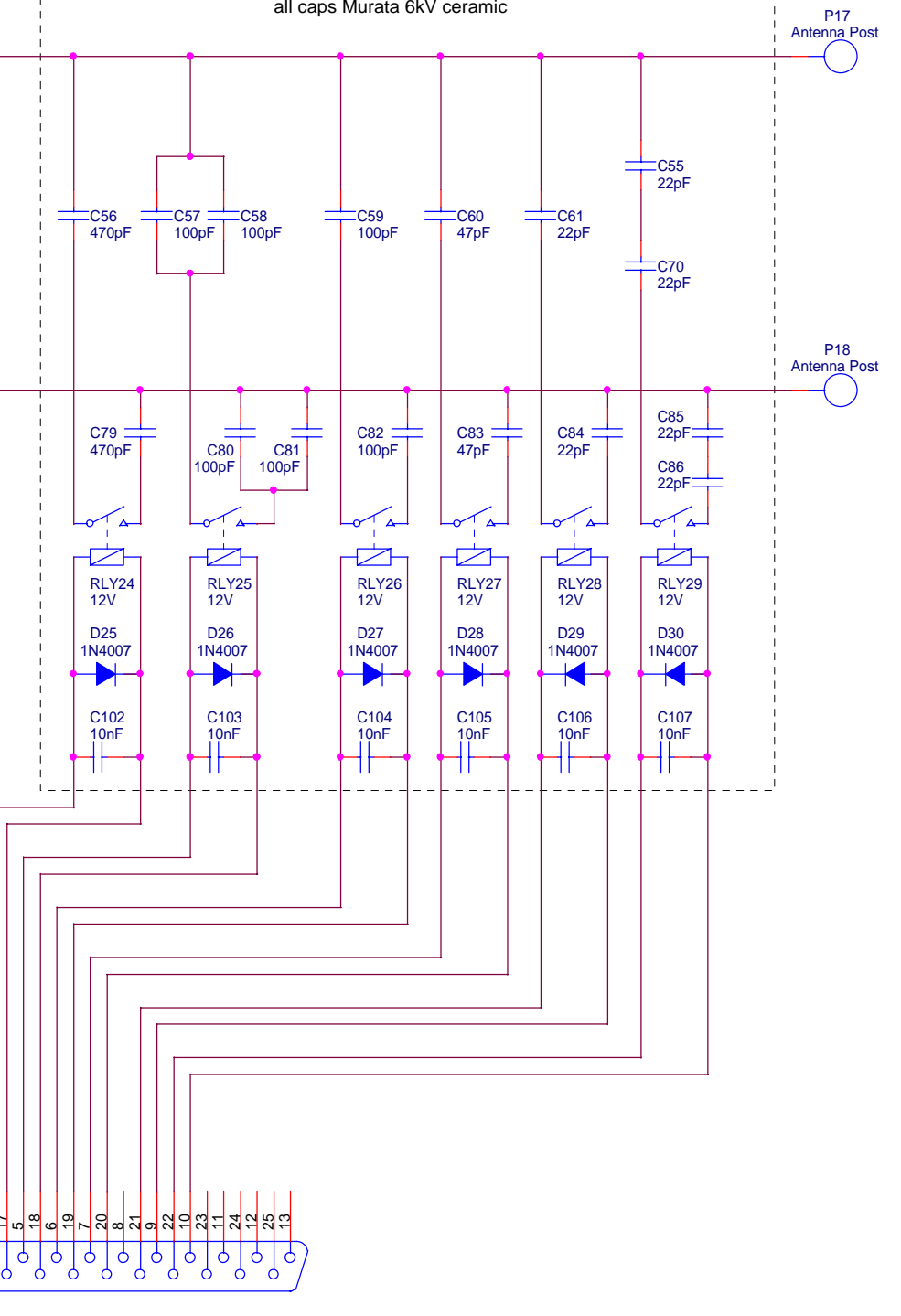
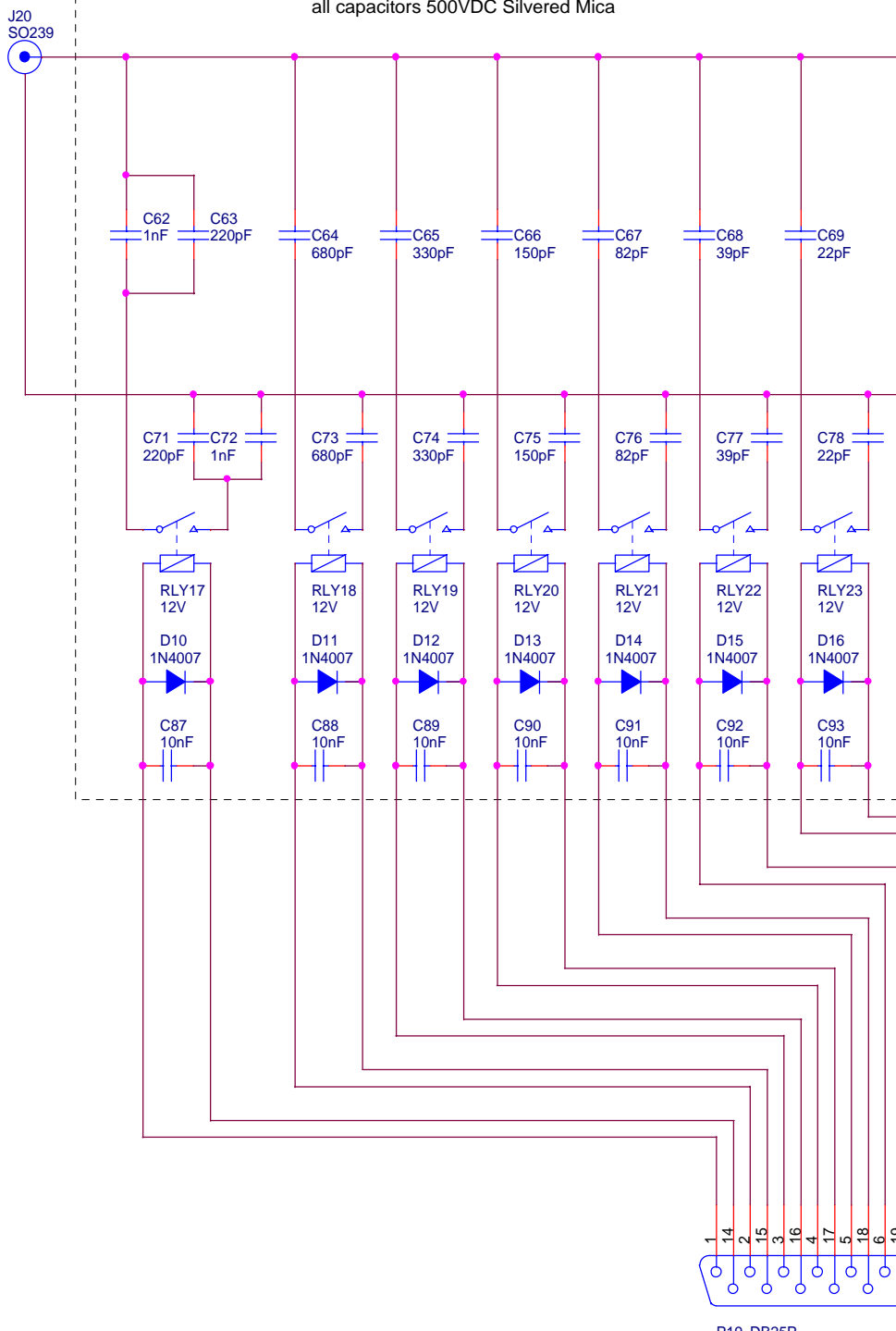
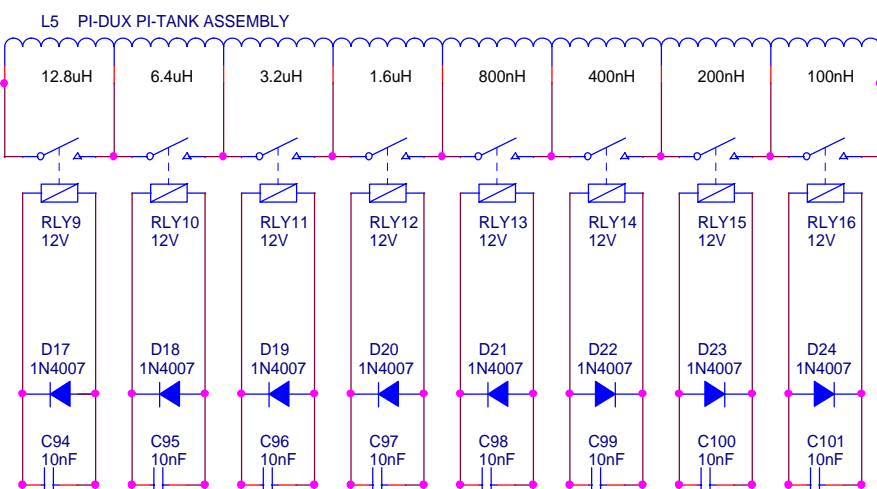
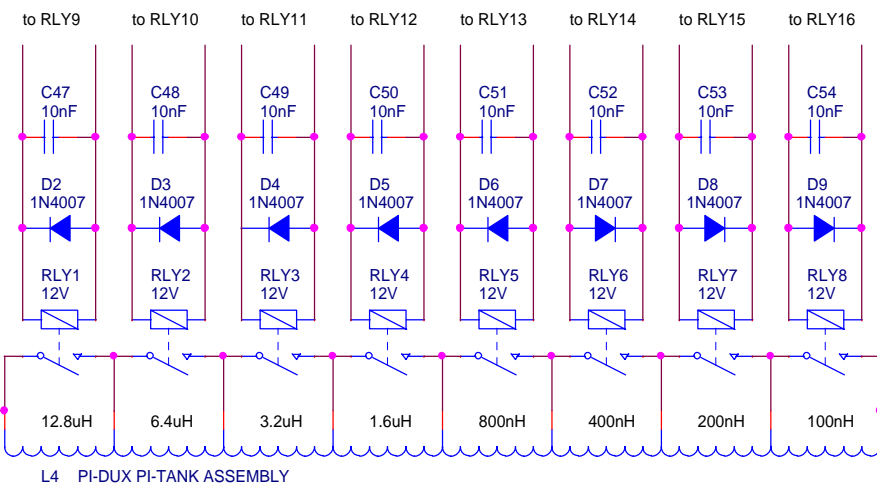


All relays are 10A SPCO modified by removing the Normally ON contact to increase the OFF voltage rating to >6kV

Transceiver Side Capacitor Board
all capacitors 500VDC Silvered Mica

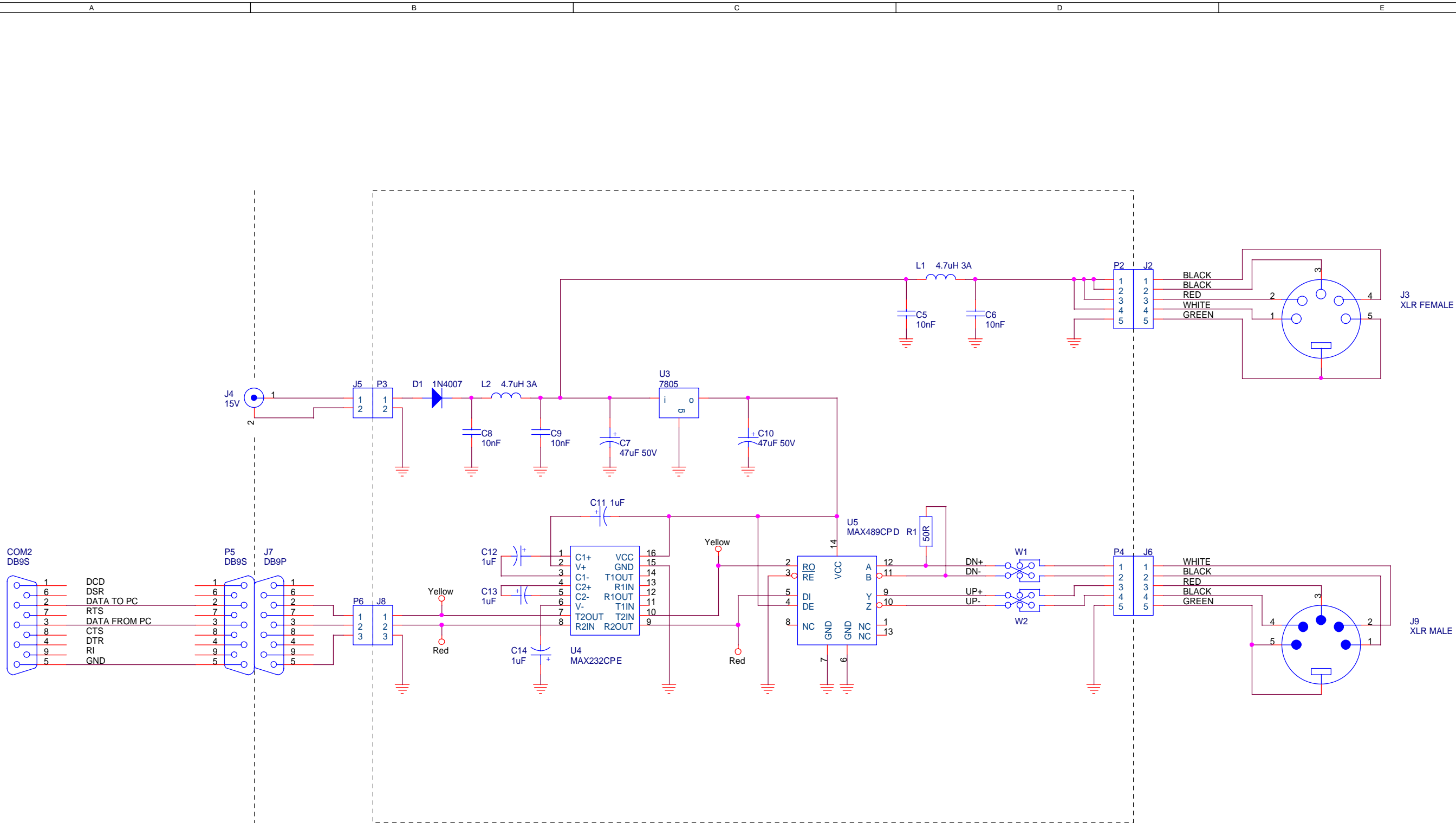
Antenna Side Capacitor Board
all caps Murata 6kV ceramic

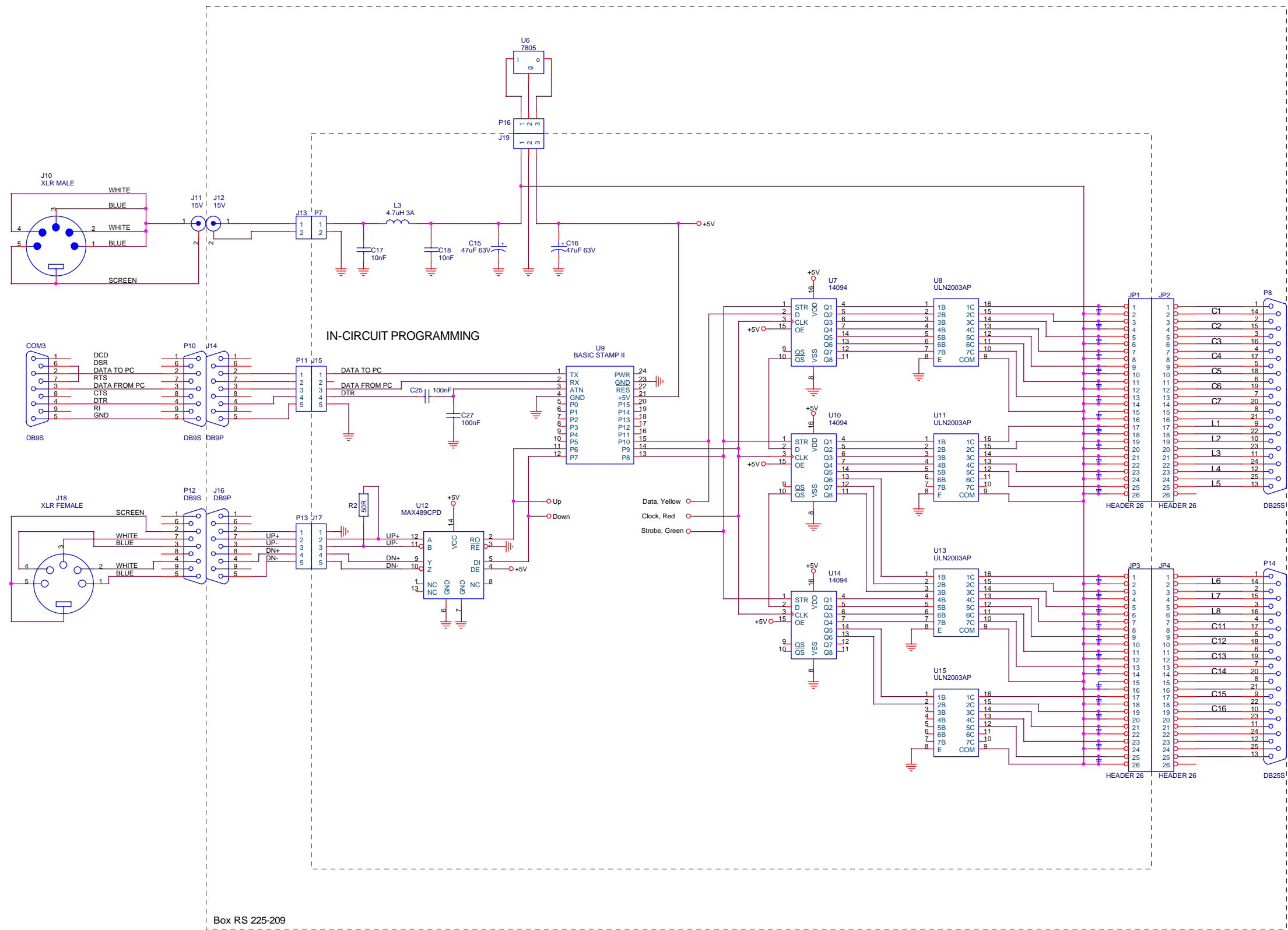


P19 DB25P

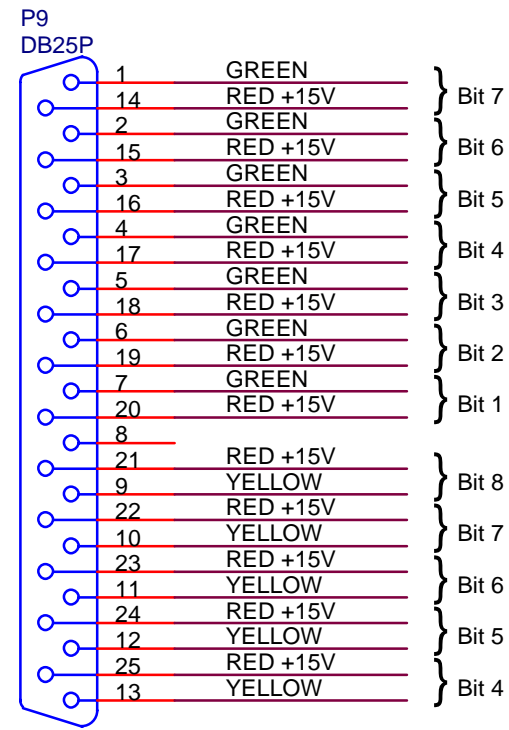
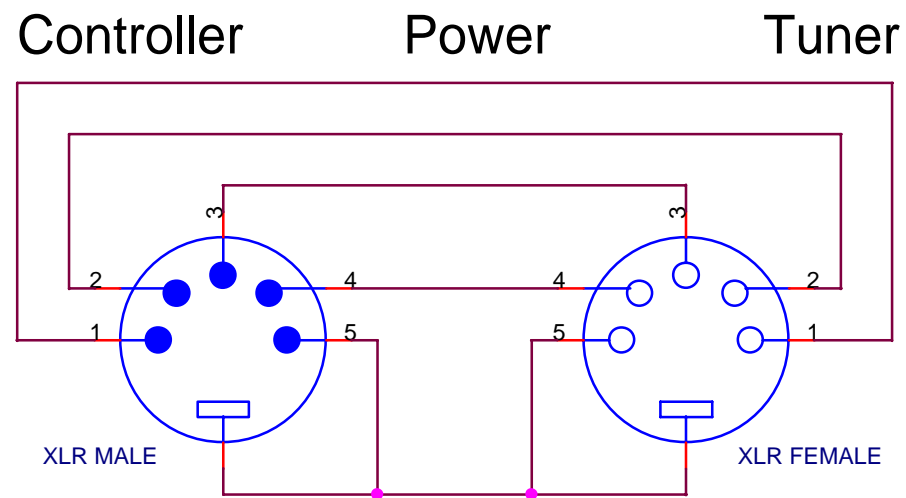
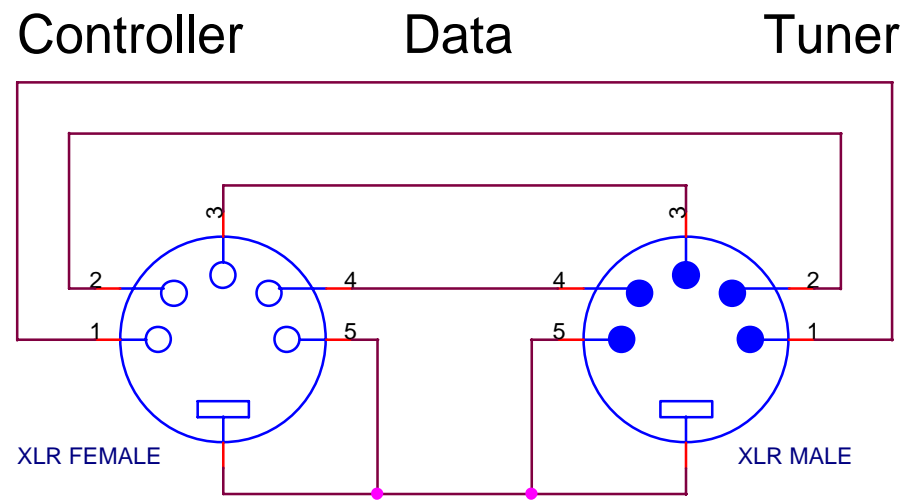
P20 DB25P

Title		
www.granta.digital-crocus.com/soft-atu		
Size	Document Number	Rev
A3	Pi-Tank	4
Date:	Thursday, September 11, 2003	Sheet 1 of 4

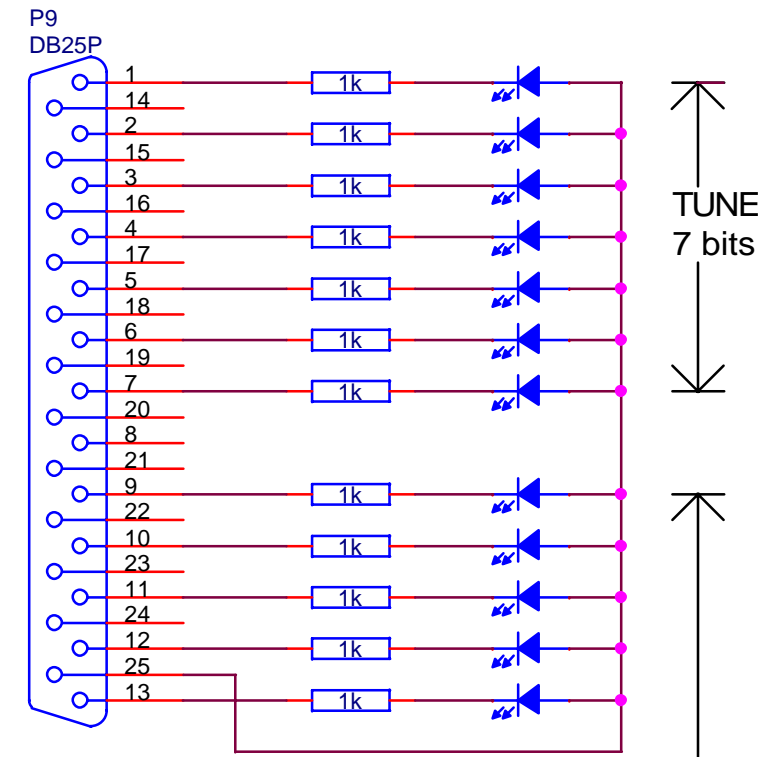
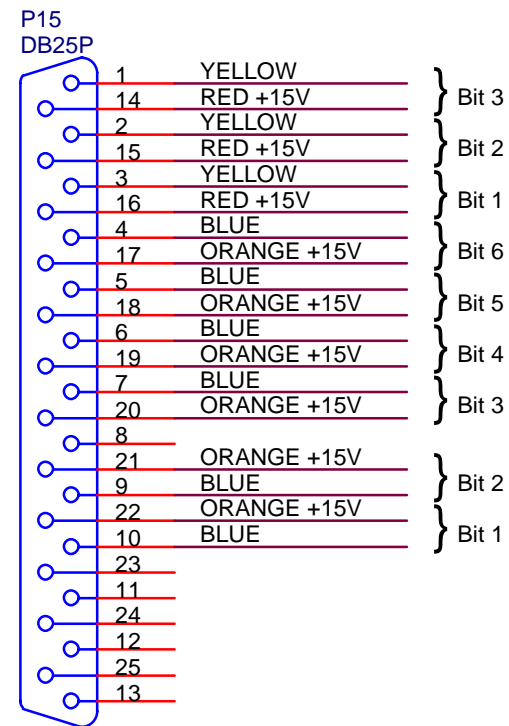




Box RS 225-209



Wiring Looms



LED Diagnostic Boards

